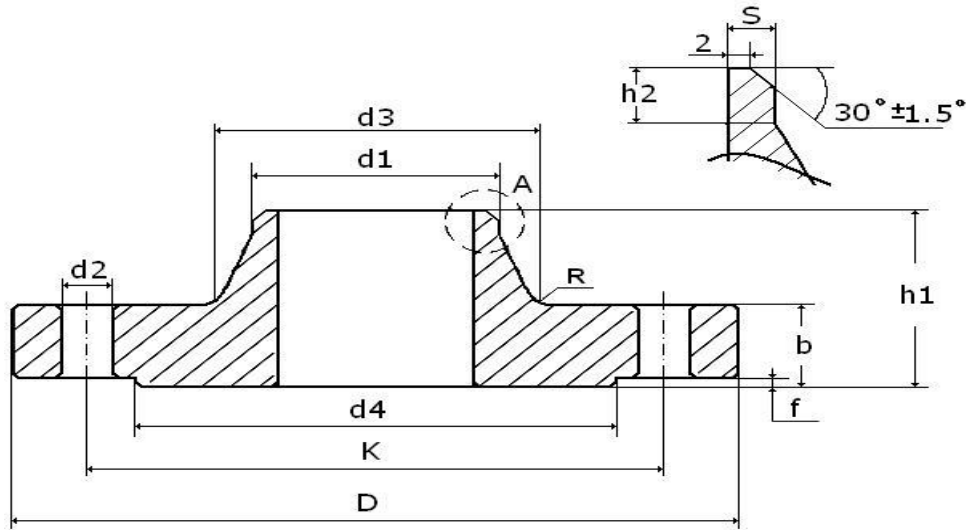


UNI 2281 PN10



Pipe		Flange				Neck				Raised face		Screws		Weight	
DN	d_1	D	b	k	h_1	d_3	s	r	h_2	d_4	f	No.	Thread	d_2	Kg
80	88,9	200	20	160	50	105	3,20	8	10	138	3	4	M16	18	4,200